



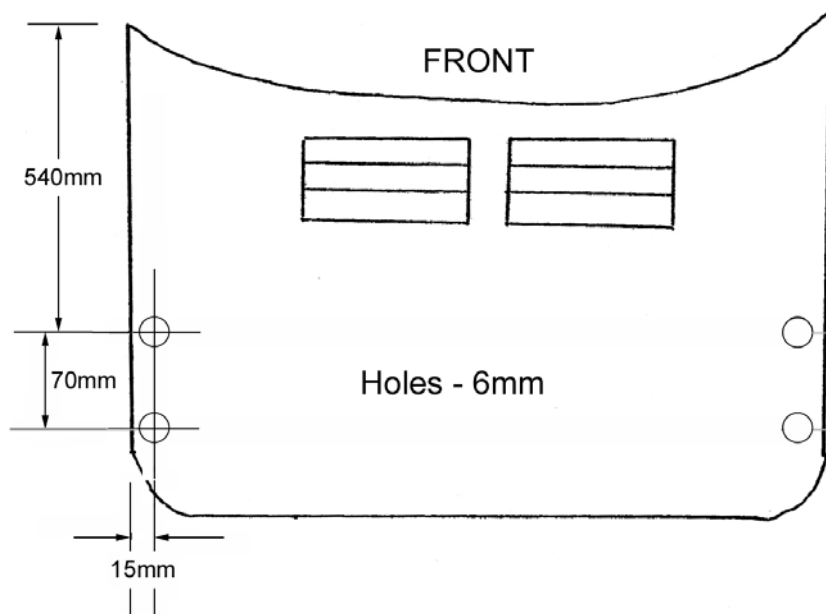
**BROWN & GAMMONS LTD**

Tel: 01462 490049 Fax: 01462 491940

[www.ukmgparts.com](http://www.ukmgparts.com)

[sales@ukmgparts.com](mailto:sales@ukmgparts.com)

## MGF / TF REAR SPOILER (BGF302) FITTING INSTRUCTIONS



- Mask boot lid both sides
- Draw line on boot lid a distance of 15mm from edge of boot lid
- Measure 540mm from front corner of boot lid
- Mark front position for hole
- Mark rear position 70mm from front hole
- Drill 4 holes at 6mm diameter, 2 per side
- Clean burrs and grease bare metal
- Fit double sided tape to spoiler contact areas and fit spoiler using screws provided